

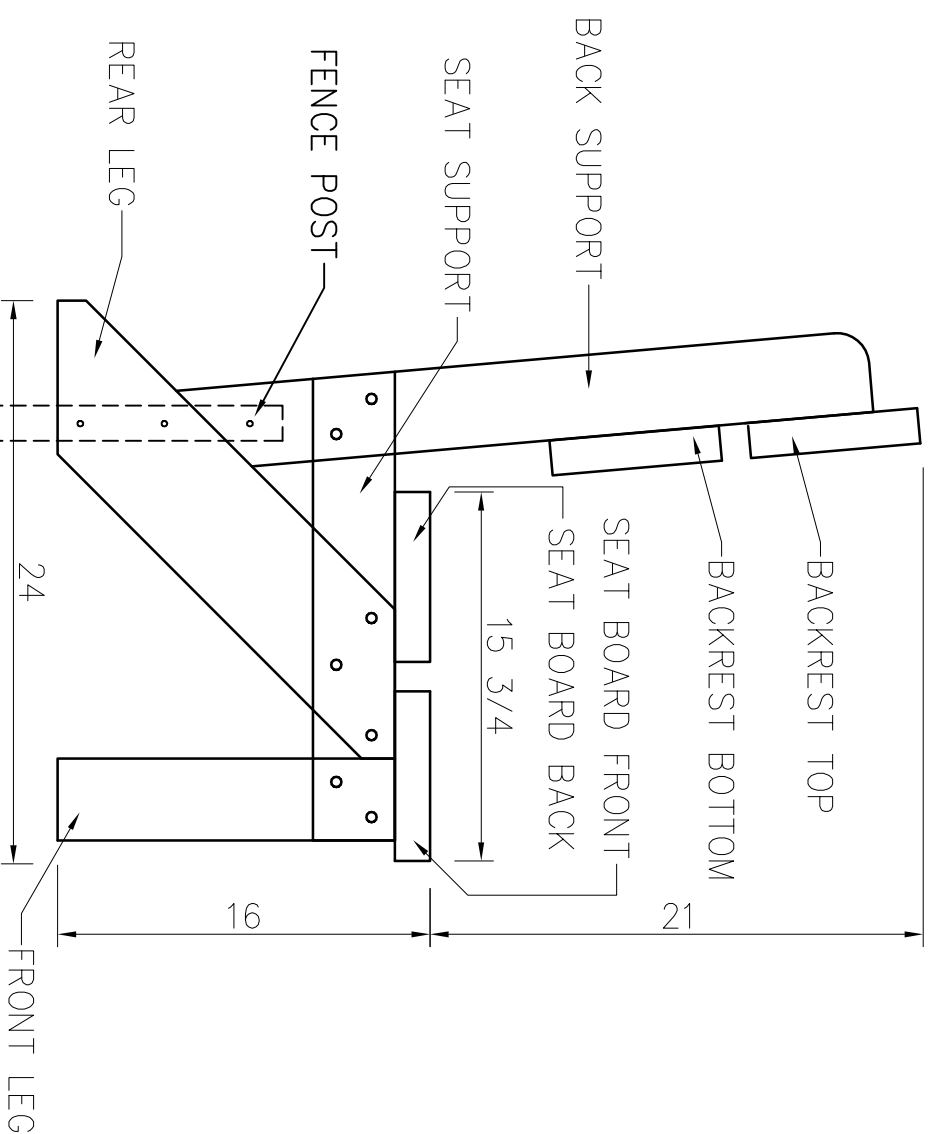
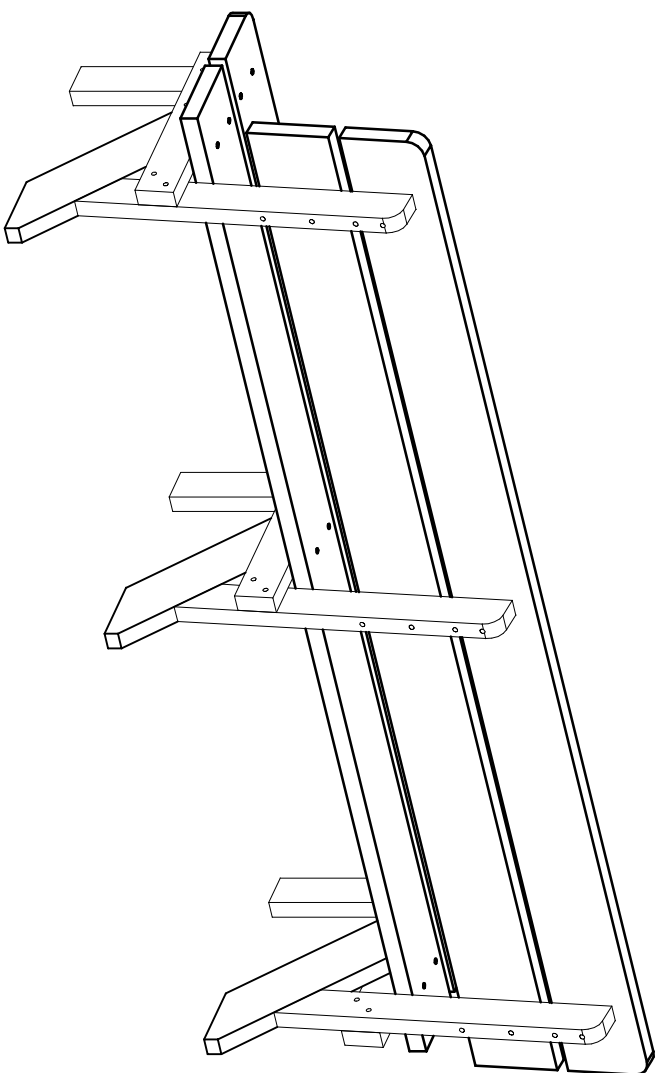
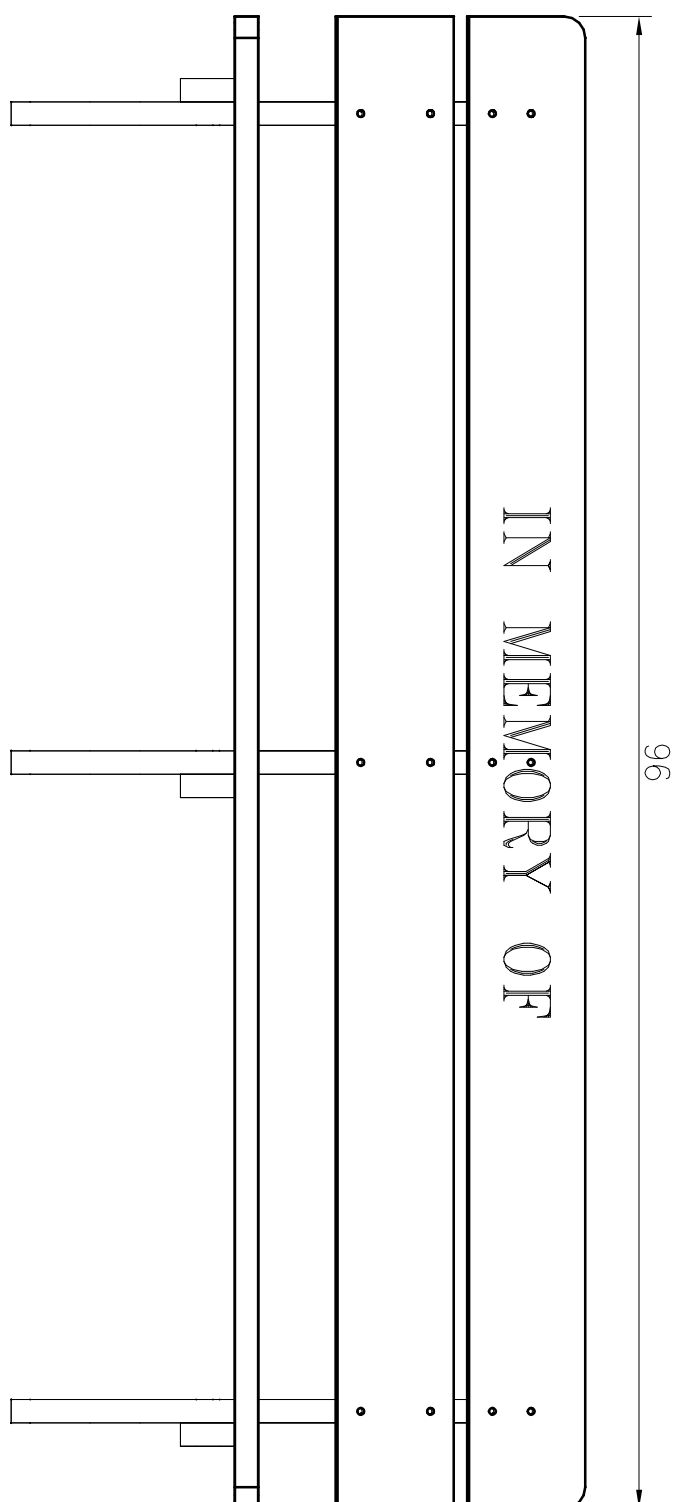
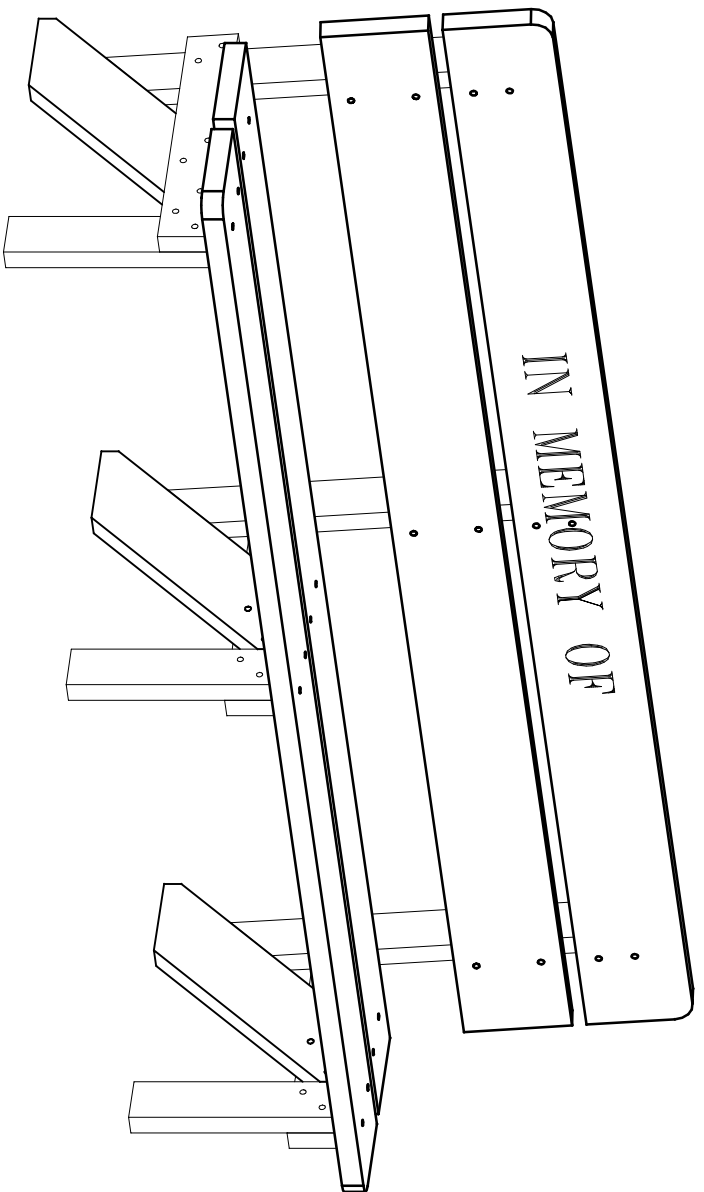
75th Anniversary Tesomas Chapel Benches



Is your group interested in leaving your mark on a part of camp? For about \$75 in materials you can make one of these benches and add a personal touch (similar to the Akela's World dining room tables).



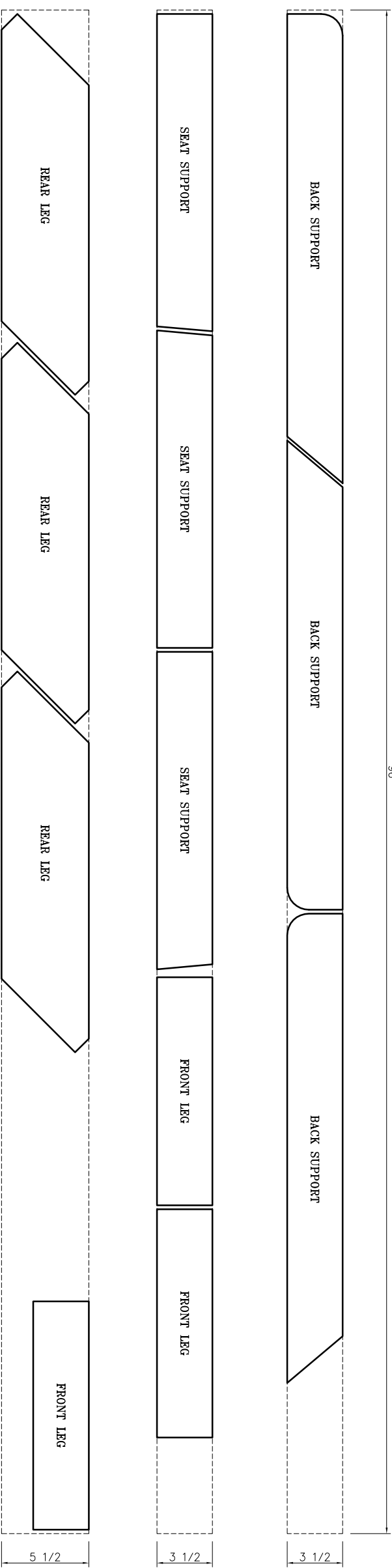
Contact Todd Sackmann for more information 715-297-3683 or ToddSackmann@TeamReady.Org



PROJECT NAME: CHAPEL BENCH	LOCATION: CAMP TESOMAS
ARCHITECT:	
CUSTOMER: 75th ANNIVERSARY	
SALES ORDER NO.	
MAIN PROJECT NO.	

SHEET NAME PARK BENCH	
SCALE (1/4" = 1')	Half
DATE	1/1/10
DRAWN BY	AK/TS/DA
DRAWING NO.	1 of 4

REV. NO.	DATE	BY	REVISION DESCRIPTIONS



CUT PLANNER

MATERIALS LIST

- 1) 4 @ 2" x 8" x 8' TREATED LUMBER
- 2) 1 @ 2" x 6" x 8' TREATED LUMBER
- 3) 2 @ 2" x 4" x 8' TREATED LUMBER
- 4) 24 @ 5/16" x 5 1/2" CARRIAGE BOLTS*
- 5) 21 @ 5/16" x 3 1/2" CARRIAGE BOLTS*
- 6) 45 @ 5/16" NUTS*
- 7) 45 @ 5/16" FLAT WASHERS*
- 8) OPTIONAL – STAIN, PAINT, PLAQUE

* Galvanized preferred, but zinc acceptable. If 1/2" increments not available locally, your group or camp can cut off excess.

~ Minor adjustments may need to be made to back support angle cut during assembly of seat due to likely variations in lumber, cutting & drilling precisions ~

TOOLS NEEDED

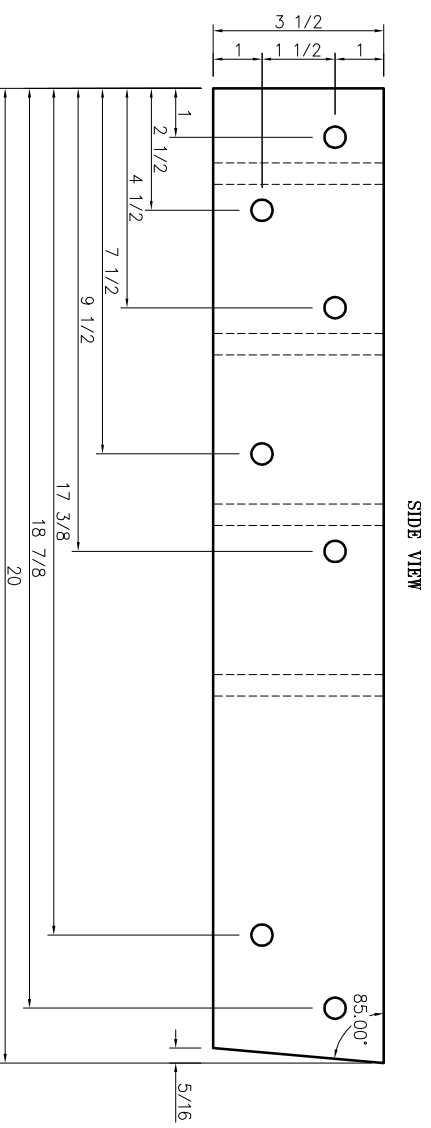
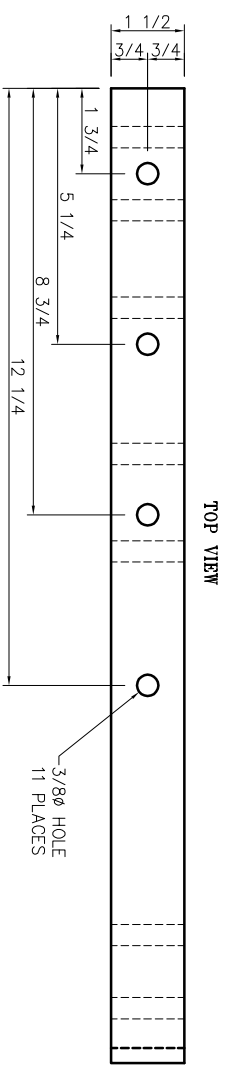
- 1) CIRCULAR SAW OR MITER SAW
- 2) JIG SAW OR COPING SAW
- 3) 1/2"HEX HEAD WRENCH OR SOCKET
- 4) DRILL & 3/8" DRILL BIT
- 5) 6" WOOD CLAMP OR QUICK-GRIP
- 6) SQUARE OR STRAIGHT EDGE
- 7) PENCIL & TAPE MEASURE
- 8) SANDER (with 80-120 Grit Paper)
- 9) SAFETY GLASSES
- 10) OPTIONAL – ROUTER

CONSTRUCTION TIPS

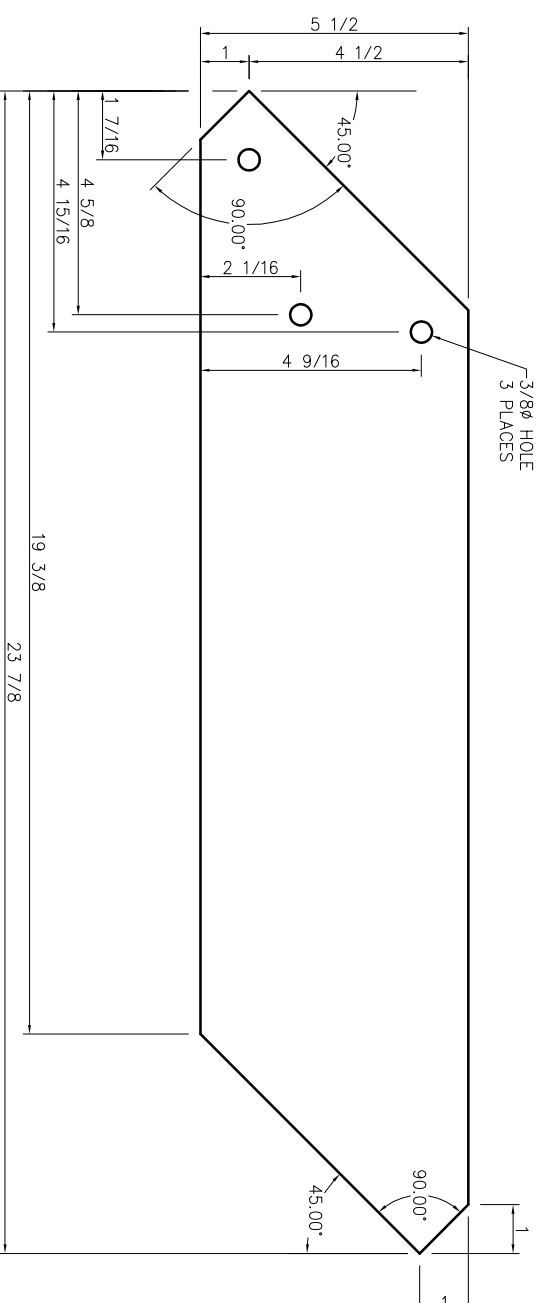
- 1) HIDE LUMBER IMPERFECTIONS TO BOTTOM, BACK & INSIDE
- 2) RIP PORTION OF 2X6 TO 2X4 PRIOR TO CROSS CUTTING
- 3) RADIUSSES ARE APPROXIMATELY A SOUP OR SODA CAN
- 4) STACK & CLAMP RADIUS PARTS & SAND TOGETHER
- 5) SAND/ROUTER SEAT & BACK EDGES PRIOR TO ASSEMBLY
- 6) HOLE PLACEMENTS ARE CRITICAL TO AVOID INTERFERENCE
- 7) DIMENSIONS ON PARTS DRAWINGS PROVIDE ANGLE LAYOUT
- 8) NOTE: 1 LEFT SUPPORT & 2 RIGHT ON SEAT ASSEMBLIES
- 7) STAIN/PAINT/ROUTER/PLAQUE/ETC AT DONOR'S DISCRETION
- 8) FENCE POST SUPPLIED & ATTACHED TO REAR LEG BY CAMP

REV. NO.	DATE	BY	REVISION DESCRIPTIONS

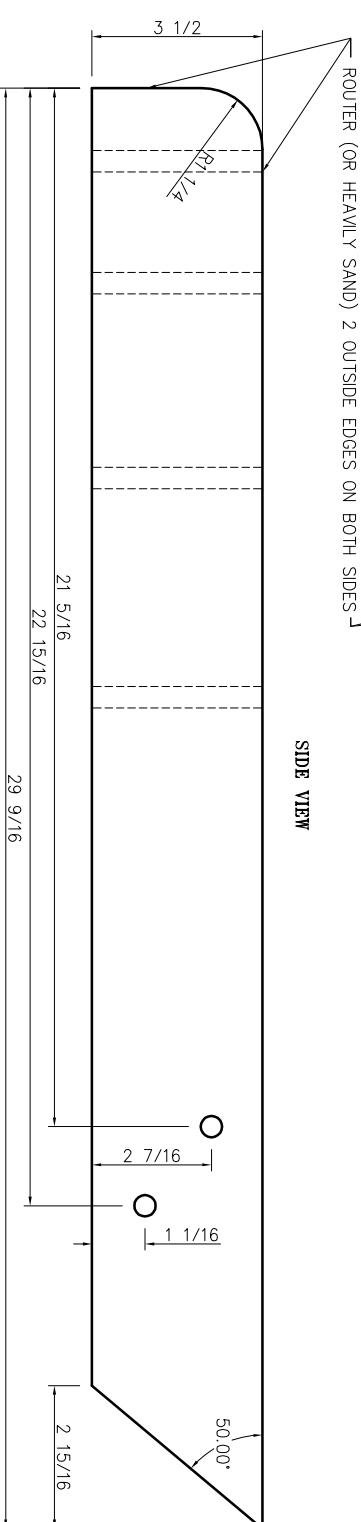
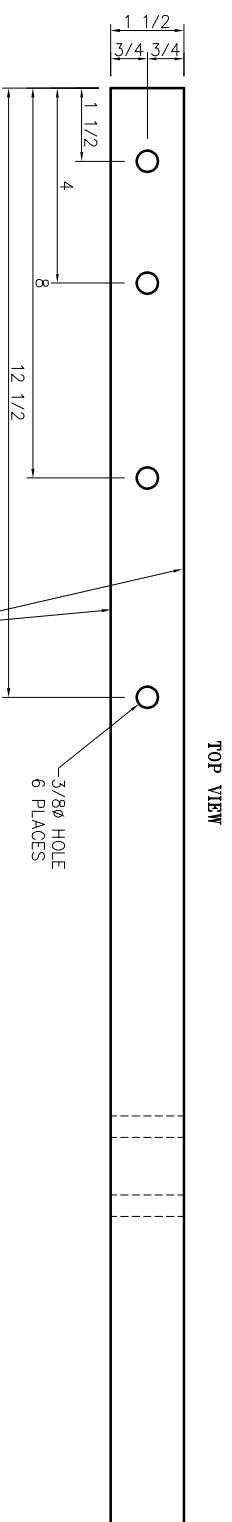
PROJECT NAME: CHAPEL BENCH LOCATION: CAMP TESOMAS	ARCHITECT:	CUSTOMER: 75th ANNIVERSARY
SALES ORDER NO.		
MAIN PROJECT NO.		
SHEET NAME CUT LIST SUPPLY LIST	SCALE 1/4" = 1'-0"	DATE 1/1/10
DRAWN BY AK/TS/DA	DATE 1/1/10	DRAWING NO. 2 of 4



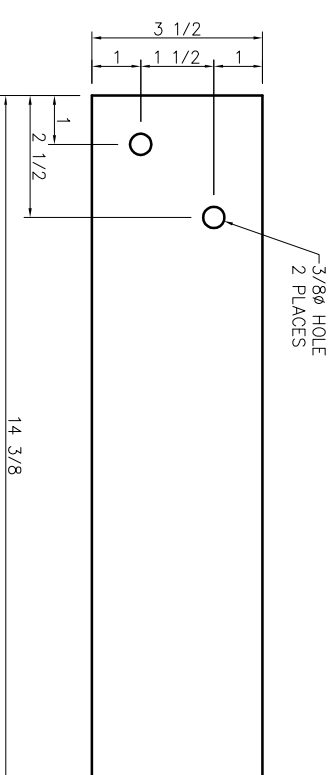
SEAT SUPPORT - 3 REQUIRED
CUT FROM 2 x 4



REAR LEG - 3 REQUIRED
CUT FROM 2 x 6



BACK SUPPORT - 3 REQUIRED
CUT FROM 2 x 4



FRONT LEG - 3 REQUIRED
CUT FROM 2 x 4

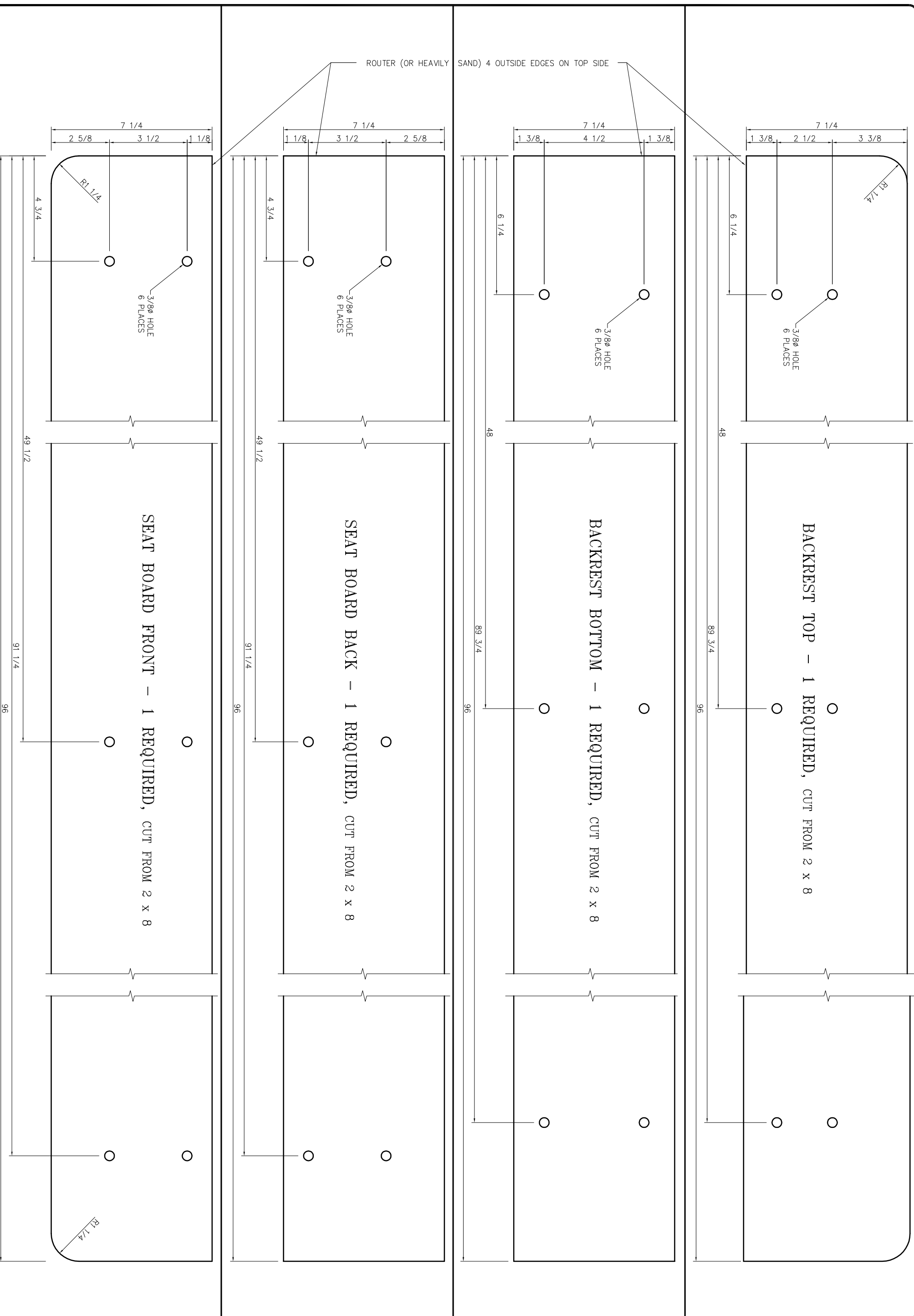
REV. NO.	DATE	BY	REVISION DESCRIPTIONS

PROJECT NAME: CHAPEL BENCH LOCATION: CAMP TESOMAS
ARCHITECT:
CUSTOMER: 75th ANNIVERSARY

SALES ORDER NO.
MAIN PROJECT NO.

SHEET NAME PART DRAWINGS

SCALE	Half
DATE	1/1/10
DRAWING NO.	3 of 4



PROJECT NAME: CHAPEL BENCH	
LOCATION: CAMP TESOMAS	
ARCHITECT:	
CUSTOMER: 75th ANNIVERSARY	
SALES ORDER NO.	
MAIN PROJECT NO.	
SHEET NAME	Half
PART	Quarter
DRAWING BY	AK/TS/DA
DATE	1/1/10
DRAWING NO.	4 of 4

REV. NO.	DATE	BY	REVISION DESCRIPTIONS